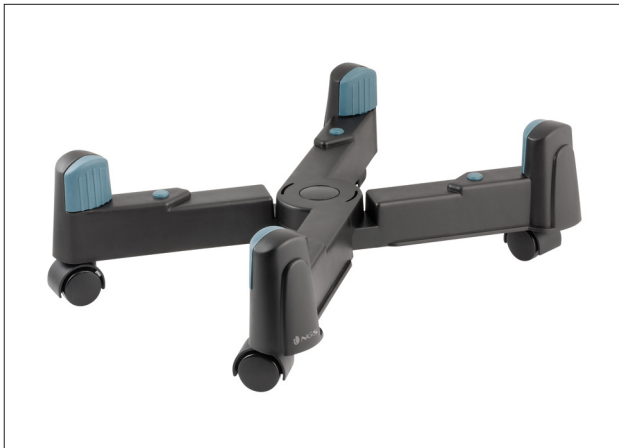


# PC Transfer



Reference: PC Transfer

## Description

- CPU unit's adjustable cart, width up to 25 cm
- Plastic stand
- Wheels for easy transport
- Protective pads to prevent any rubbing on the CPU unit

## Package contents

- PC Transfer
- Installation guide
- 2 years warranty card

## Logistic data

	Width	Height	Depth	Weight
<b>External Box</b>	430 mm	280 mm	220 mm	g
<b>Package</b>	103 mm	417 mm	86 mm	g
<b>Product</b>	98 mm	116 mm	408 mm	g

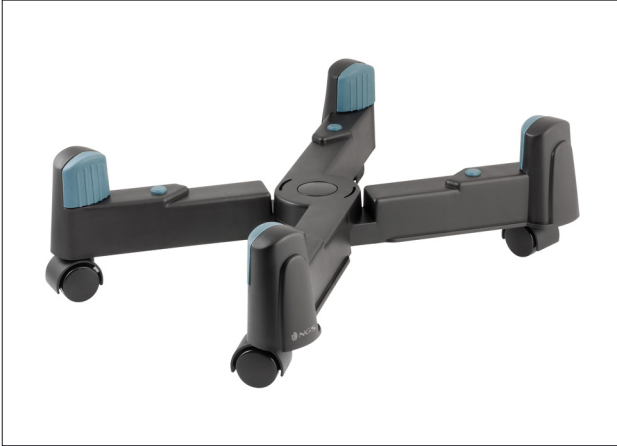
Units per pallet	Units per box	Boxes per pallet	Boxes on base	Boxes in height
210	6	35	7	5

Package's bar code: 8435430613261

External box' bar code: 8435430613278

# PC Transfer

## Product's pictures



## Package's pictures

